

TUFF INDUSTRIES INC

Tuff Industries Inc

9570 Bottom Wood Lake Rd.

Lake Country, BC V4V 1S7

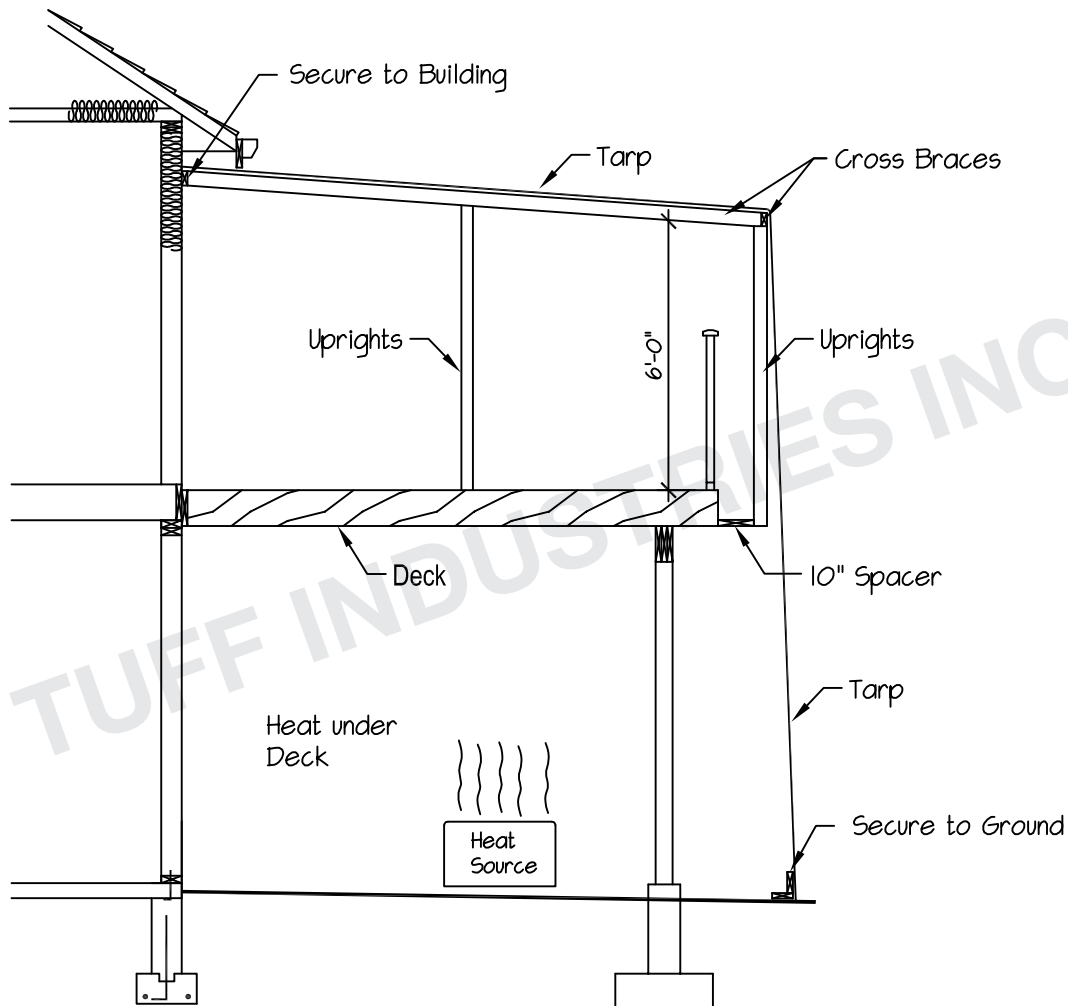
Toll Free: 1-877-860-9333

Fax: 250-766-1366

TUFDEK

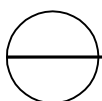
ECONODEK

TUFF-SHIELD



NOTES:

- 1) The entire outside perimeter of the work area must be tarped to the ground to create a warm, dry work space.
- 2) A 10" set off from the deck edge is required to allow for edge detailing. Allow enough height for installer to work under tarp structure.
- 3) Heat source placed in a safe location to allow for warming and drying of the structure.
- 4) Heat source must be on 24 hrs. before and 48 hrs. after deck installation. The heater must maintain a minimum temperature of 10 C / 52 F
- 5) Plywood must be completely dry before installation is started.



TD-30

Tarping Directions